



**8" O.D. Moisture Resistant Loudspeaker,
5W-25/70V Transformer, Slanted Metal Box**

GENERAL DESCRIPTION

The BT20CCSL is a complete system consisting of a 8" diameter horn, with a double cone and 285 g magnet, a transformer for a 25/70 V 5W line, and a square grid, inside a square metal box. White baked paint finish

INTENDED USE -

INDOOR

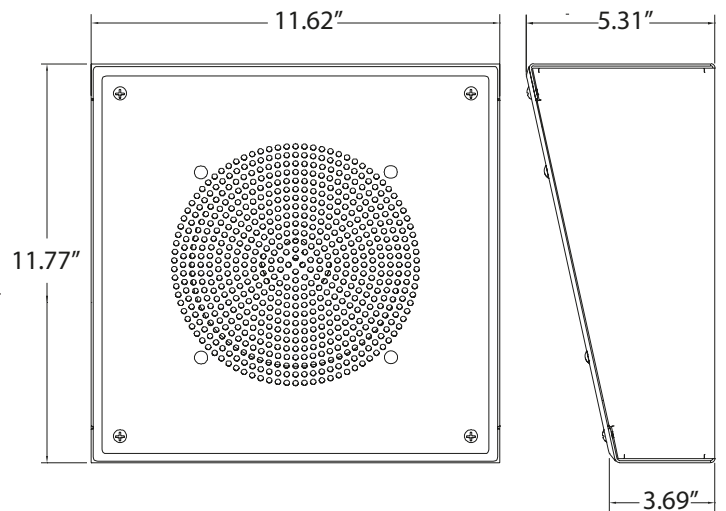
Program Material Signal tones, voice, and music
Installation Wall Mount, Facing Down

AUDIO SPECIFICATIONS

Average Sensitivity	95 dB SPL, 1W/ 1M
Loudspeaker Power Rating	20W RMS EIA 426A Standard
Maximum Power	15W @ 8 Ohms
Calculated Output	102 dB SPL, 5W/ 1M
Magnet Type & Weight	BeFe Ceramic, 5 oz. Nominal
Frequency Response	60 Hz - 17 kHz EIA 426A Standard
Nominal Coverage Angle	100° Included Angle -6 dB / 2 kHz, Half space
Audio Connection	7" Color-Coded Leads
Taps	0.32W, 0.63W, 1.25W, 2.50W, 5W

SYSTEM COMPONENTS

Loudspeaker	8", Magnet 10 Oz.
Transformer	5W-25/70V : 5 Tap, Color Coded Leads (5W, 2.5W, 1.25W, 0.63W, 0.31W)
Rack	Square, Screws, Circular Pattern



Recommended construction sequences, installation instructions, and A&E Specifications are available in various formats in the Specs and Diagrams section at:

www.francom.com.mx info@francom.com.mx

MR 2017 Francom Systems reserves the right to make changes and/or improvements to its products at any time and without notice.



MADE IN EN E.E.U.U.

FRANCOM SYSTEMS
Av. Aztecas 497 1er. Piso, Coyoacán
Ciudad de México, 04300, México
t: +52-55-5421-1309
e: info@francom.com.mx
www.francom.com.mx