



BT20RR

CEILING MOUNTED

8" O.D. Loudspeaker with a 10 oz. Magnet, 5W-25/70V Transformer, Stud-Mount Baffle

GENERAL DESCRIPTION

The **BT20RR** consists of an 8C10PAX - 8" O.D. dual cone loudspeaker with a 10 oz. magnet, TBLU - 5W-25/70V transformer, and a BR8WS - round, stud-mount baffle in a white powder coat finish.

INTENDED USE - Indoor Environment

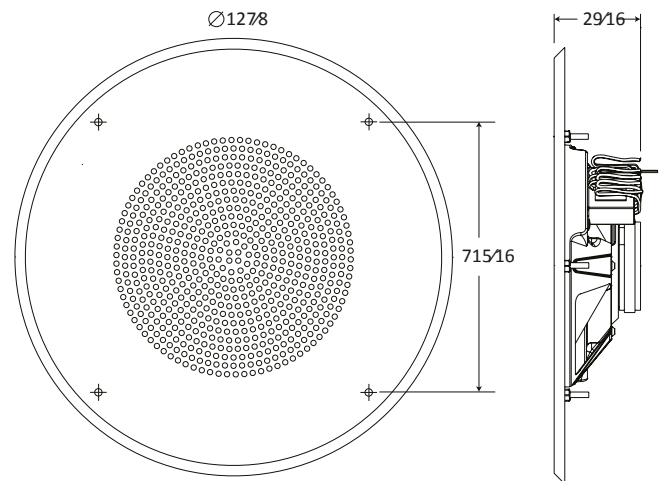
Program Material | Signal tones, voice, and music

AUDIO SPECIFICATIONS

Average Sensitivity	95 dB SPL, 1W/ 1M
Loudspeaker Power Rating	12W RMS, EIA 426A Standard
Maximum Power Rating	15W @ 8 Ohms
Calculated Output	102 dB SPL, 5W/ 1M
Magnet Type & Weight	BeFe Ceramic, 5 oz. Nominal
Frequency Response	65 Hz - 17 kHz EIA 426A Standard
Nominal Coverage Angle	100° Included Angle, -6 dB / 2 kHz, Half space
Audio Connection	7" Color-Coded Leads
Wattage Taps	0.32W, 0.63W, 1.25W, 2.50W, 5W

RECOMMENDED QUAM COMPONENTS

Enclosures	ERD-8, ERD8U
Mounting Support	SSB-2, SSB-3, SSB-7



Recommended construction sequences, installation instructions, and A&E Specifications are available in various formats in the Specs and Diagrams section at: www.francom.com.mx info@francom.com.mx		MDE IN E.E.U.U.	FRANCOM SYSTEMS Av. Aztecas 497 1er. Piso, Coyoacán Ciudad de México, 04300, México t: +52-55-5421-1309 e: info@francom.com.mx www.francom.com.mx
MR2017 Francom Systems reserves the right to make changes and / or improvements to its products at any time and without notice.			